

## Sealing Rings

Elastomer, Hygienic Design

### SPECIFICATION

#### Version in HNBR

Hydrogenated acrylonitrile butadiene rubber **HNBR**

- Blue, FDA compliant
- Temperature resistant -25 °C to +150 °C
- Hardness 85 ±5 Shore A **85**

#### Version in EPDM

Ethylene propylene diene rubber **EPDM**

- Blue, FDA compliant
- Temperature resistant -40 °C to +120 °C
- Hardness 85 ±5 Shore A **85**

#### Version in FKM

Fluorine rubber **FKM**

- Blue, FDA compliant
- Temperature resistant -5 °C to +200 °C
- Hardness 85 ±5 Shore A **85**



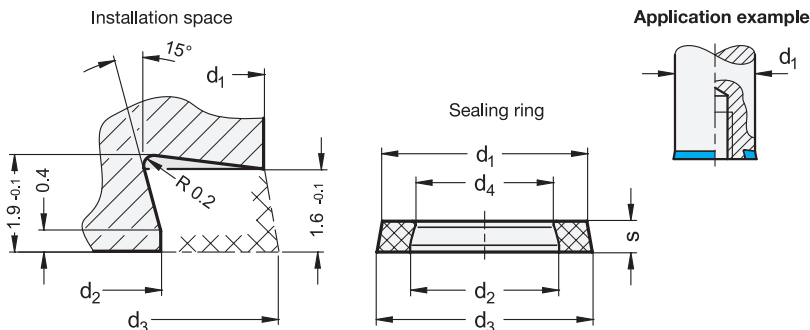
### INFORMATION

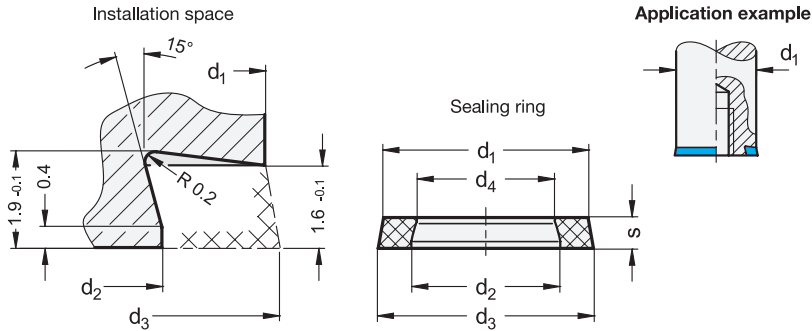
Components with cylindrical mounting surfaces which are installed in hygienic areas can be sealed and mounted without dead spaces using GN 7600 sealing rings. All standard parts equipped and delivered with sealing rings GN 7600 are listed in the table. For replacement, the corresponding sealing rings can be ordered individually.

As delivered, or unassembled, the sealing rings have the "actual dimensions" as stated in the table. To ensure a firm seating and reliable sealing, a corresponding installation space must be provided in the component. This ensures that when the sealing ring is installed, it will be subject to the necessary pressure without excess load. All surfaces which are in contact with the sealing ring should have a minimum surface quality of Ra 0,8 µm.

### TECHNICAL INFORMATION

- Plastic Characteristics (see page A2)





\* Complete with material index of the sealing rings

HNBR          EPDM          FKM

GN 7600

Description	d1 Nominal dim.- Installation space	d2 Nominal dim.- Installation space	d3 Nominal dim.- Installation space	d1 Actual dim.- Sealing rings unassembled	d2 Actual dim.- Sealing rings unassembled	d3 Actual dim.- Sealing rings unassembled	d4 Actual dim.- Sealing rings unassembled	s	Suitable for	⚖
GN 7600-10-6-2-*-85	10	6	10.8	9.5	6.1	10.2	5.4	2	GN 1581	1
GN 7600-11-7-2-*-85	11	7	11.8	10.2	6.8	10.9	6.1	2	GN 1580   GN 1581   GN 1582   GN 8341   GN 8351	1
GN 7600-12-8-2-*-85	12	8	12.8	11.2	7.8	11.9	7.1	2	GN 429   GN 1580	1
GN 7600-13-9-2-*-85	13	9	13.8	12.2	8.8	12.9	8.1	2	GN 1581   GN 1582   GN 8341   GN 8351	1
GN 7600-14-10-2-*-85	14	10	14.8	13.2	9.8	13.9	9.1	2	GN 75.6   GN 305   GN 1580	1
GN 7600-16-12-2-*-85	16	12	16.8	15.1	11.7	15.8	11	2	GN 75.6   GN 429   GN 1581   GN 1582   GN 5064   GN 8341   GN 8351	1
GN 7600-18-14-2-*-85	18	14	18.8	17	13.6	17.7	12.9	2	GN 75.6   GN 305   GN 1580   GN 5435   GN 5445	1
GN 7600-19-15-2-*-85	19	15	19.8	17.9	14.5	18.6	13.8	2	GN 1581   GN 1582	1
GN 7600-20-16-2-*-85	20	16	20.8	18.9	15.5	19.6	14.8	2	GN 429	1
GN 7600-21-17-2-*-85	21	17	21.8	19.9	16.4	20.5	15.7	2	GN 1580   GN 5064   GN 5435   GN 5445	1
GN 7600-22-18-2-*-85	22	18	22.8	20.8	17.4	21.4	16.7	2	GN 305   GN 1150   GN 1581   GN 8170   GN 6226	1
GN 7600-25-21-2-*-85	25	21	25.8	23.6	20.2	24.3	19.5	2	GN 20   GN 20.1   GN 1580   GN 5064	1
GN 7600-28-24-2-*-85	28	24	28.8	26.5	23.1	27.2	22.4	2	GN 20   GN 20.1   GN 1581   GN 5080   GN 5090   GN 6226	1
GN 7600-30-26-2-*-85	30	26	30.8	28.5	25.1	29.2	24.4	2	GN 1150	1
GN 7600-32-28-2-*-85	32	28	32.8	30.4	27	31.1	26.3	2	GN 20   GN 20.1   GN 1580	1
GN 7600-34-30-2-*-85	34	30	34.8	32.3	28.9	34	28.2	2	GN 6226	1
GN 7600-36-32-2-*-85	36	32	36.8	34.2	30.8	34.8	30.1	2	GN 20   GN 20.1	1
GN 7600-40-36-2-*-85	40	36	40.8	38.1	34.7	38.8	34	2	GN 1580	1
GN 7600-42-38-2-*-85	42	38	42.8	39.9	36.5	40.6	35.8	2	GN 5080   GN 5090	1

Weight Material HNBR

